

Communication – July 2020

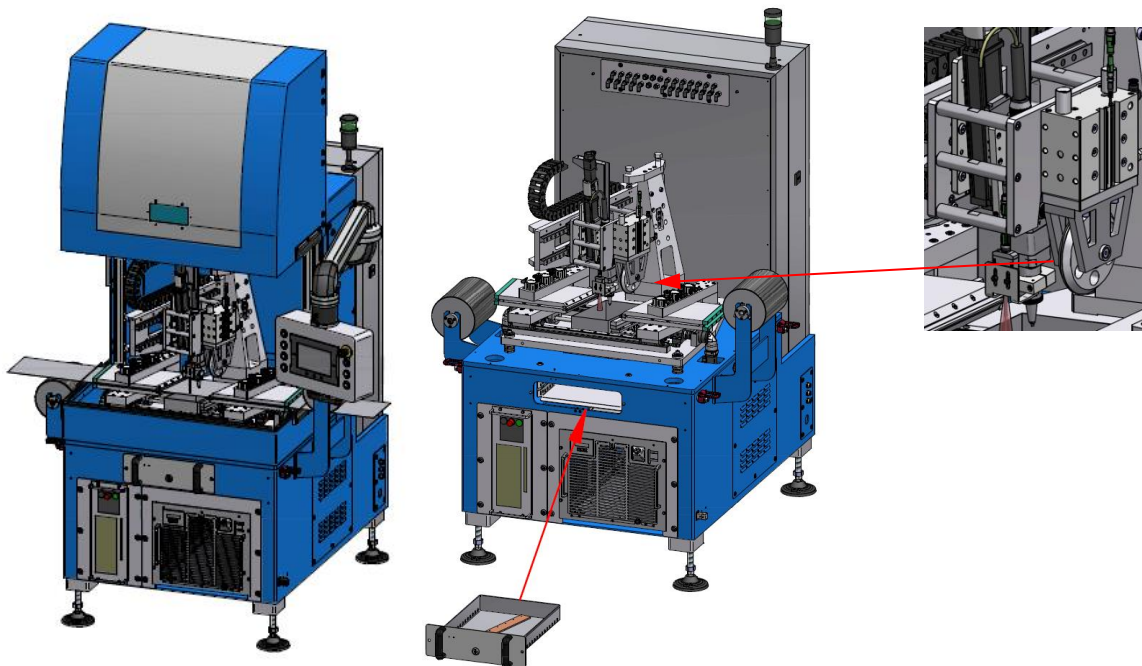
## INTRODUCING THE NEW LASER CROSS WELDER SLT 200

### KEEPING YOU BONDED IN COIL PROCESSING

T.H.E. MACHINES – Switzerland presents its newest updated **SLT 200 Laser Cross Welding** machine type, for of bonding / butt welding alloy tapes up to a width of 200 mm (8") for a wide range of alloys and product thicknesses. A new **compact** and very **versatile** cross welder.

Providing high quality butt welds in one coil to another in a wide range of industries has become ever more demanding over the past years. The preference for high precision laser welded joints has established itself both technically and commercially over the past years.

Reviewing its successful family of SLT laser cross welding machines, revising and updating this model brings with it a number of new features and options, meeting customer needs and requirements.



New SLT 200 at a glance

Soon available on  YouTube

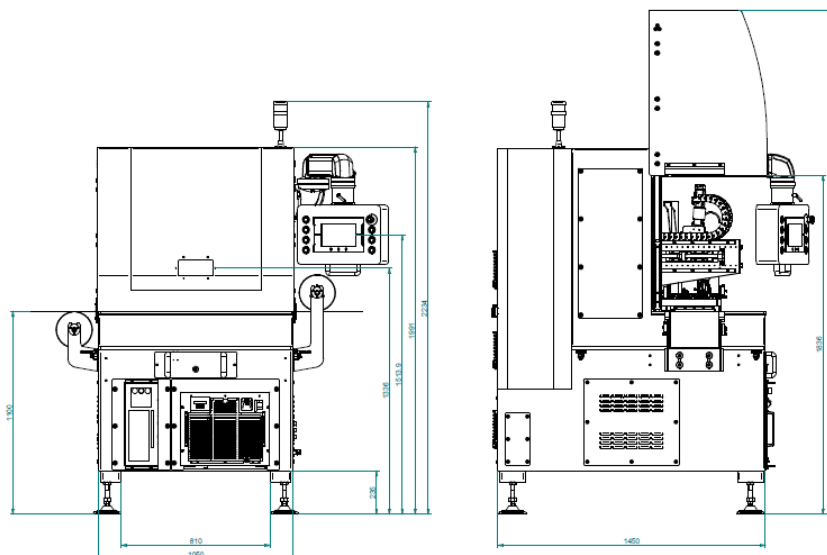
# SLT 200 Compact & Versatile Laser Welding

## New SLT 200 at a glance

- Compact with **minimal foot print**. All the processes of laser cutting, welding and weld-seam smoothing are housed in one dedicated protective unit
- Respecting all safety requirements, designed for location in continuous production environment and with easy access to all elements
- Engineering = Robust, Execution = Precise, the System permits long-term line performance under the most demanding conditions
- **NEW** internally mounted and **Automated Weld-seam Flattening Roller** to eliminate or minimize weld bulge
- **Internal Flattening Process fully automated – hands-free**
- Easy simple evacuation of trim waste cuts with sliding drawer
- The appropriate laser power source can be selected, for both cutting and weld, with one single unit and to cover a range of alloy materials and thicknesses to meet customer needs and requirements.

## The key performances of our technologies include:

- Guaranteed repeatable welds and weld seam quality
- Easy to use process no specialist technical expertise required, simple HMI
- Menu guided system for easy rapid establishment of new weld recipes
- Few mechanical wear and tear parts or consumable items
- Rapid, hands-free cutting, welding and flattening of the tapes
- SLT Unit can be free standing, mobile on wheels or on rails
- Ideally suited for switching between multiple production lines



For further more detailed information, please don't hesitate to contact us.