

## BPA SPOOL WINDER FOR CABLE APPLICATIONS

### **THE has developed a new precision winder for specific cable production applications, the BPA2000**

Thanks to its compact size this winder can be used in various production line layouts, as a stand-alone unit or fully integrated.

Its primary function is to wind small cable sizes onto spools or reels with high traversing accuracy and precise tension control.

### **Here are some key features and functions of the new BPA:**

Accurate Winding of Sensitive Cables is ensured by the BPA's spool traversing mechanism, which maintains the cable along the centre line, crucial for applications like FIST where deformation and twisting must be avoided. This precision is essential for maintaining the integrity and performance of sensitive cables.

Speed Control is facilitated by the variable speed options of the BPA, seamlessly integrating into any production line. This flexibility allows for efficient production processes tailored to specific requirements, enhancing overall productivity and throughput.

Tension Control is paramount in preventing cable deformation or breakage during winding. The BPA's tension control capabilities, offered through various settings, ensure consistent tension throughout the winding process, so guaranteeing the quality of the wound cable.



The Dancer Option, available for all BPAs, incorporates a *THE* dancer system, enabling the winding process to stop without compromising cable tension on the spool. This feature ensures precise re-starts, contributing to the overall accuracy and reliability of the winding operation.

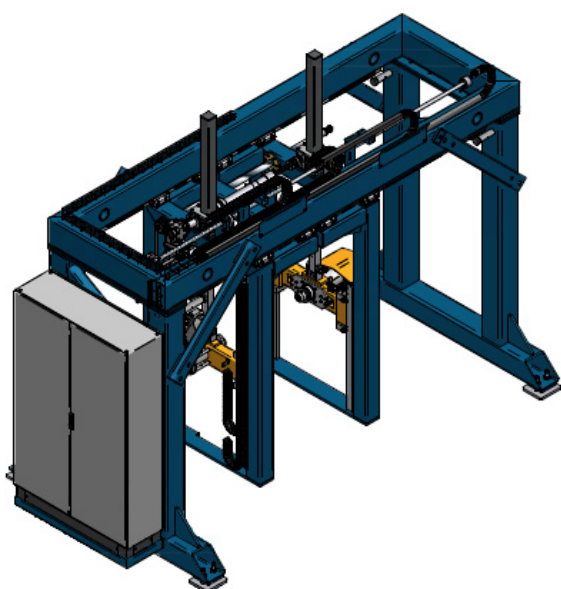
Automatic Start and Stop functionality, in conjunction with a *THE* accumulation dancer system, can be customized to meet customer specifications. This includes precise length measurement, facilitating cable inspections without disrupting the production line, and enhancing operational efficiency.



## BPA SPOOL WINDER FOR CABLE APPLICATIONS

Versatility characterises the BPA precision winder, capable of handling a diverse range of cable types, from coaxial to fibre optic cables, micro ducts, and more. Its design accommodates various spool sizes and types, offering flexibility to adapt to different production requirements.

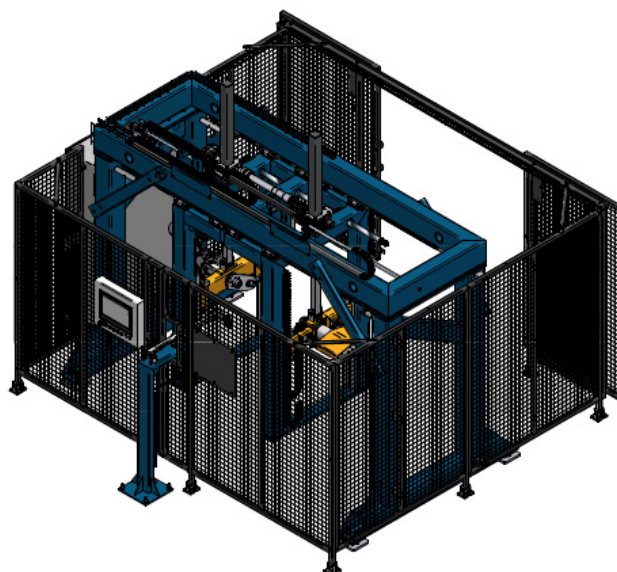
Safety Features are integrated into the BPA to ensure safe operation and prevent accidents. Emergency stop buttons, protective guards, and overload protection mechanisms are included, with CE certification, guaranteeing compliance with safety standards.



User-Friendly Interface equipped with touchscreen display(s) enhances usability, allowing operators to monitor and control the winding process effectively. Smart monitoring capabilities further optimise performance by adapting to cable line characteristics.

Durability and Reliability are inherent in *THE* winders, constructed from durable materials and components to withstand heavy-duty industrial use. Minimal maintenance requirements ensure long-term reliability, reducing downtime and operational costs.

Customisation options are available, with our experienced engineering team capable of tailoring the BPA precisely to customer needs, so ensuring optimal performance and satisfaction.



### Technical data

- Spool width min/max : 720 mm / 1 190 mm
- Spool diameter min/max : 1 000 mm / 2 000 mm
- Spool core diameter min/max : 520 mm / 965 mm (or on demand)
- Load max (spool with cable): 3 000 kg
- Nominal winding speed with small spools: 60 m/min (subject to product and winding quality)
- Nominal winding speed with big spools: 120 m/min (subject to product and winding quality)
- Winding tension with small spools: up to 1 200 N
- Winding tension with big spools: up to 650 N
- Motor power: 7.5 kW (higher on request)

The traversing movement is facilitated by a ballscrew mechanism, ensuring exceptional precision essential for producing tightly wound coils